

SELECTION GUIDE

- REPLACEMENT ENGINES
- SERVICE ENGINES
- SHORT BLOCKS
- MINIBLOCKS

MODEL K301 12HP

Engine Specs 4710-47835

Generator Specs 8700A-87371C

There are several different methods of repowering K301 engines to consider—with the choice depending on your shop facilities, repair costs, and allowable downtime of the engine.

1. **Engine Replacement:** Replacement Engine or Service Engine. (When using a Service Engine, certain items will have to be transferred from the original engine or modifications may be required to fit the engine to the application.)
2. **Short Block Replacement:** When engine including the crankshaft is extensively damaged or worn internally. Refer to page 12 for Short Block components.
3. **Miniblock Replacement:** When bore, piston, and connecting rod are damaged but crankshaft and all other parts are in good condition. Refer to page 12 for Miniblock components.
4. **Complete Overhaul:** Rebore cylinders and regrind crankshaft, using appropriate oversize and/or undersize replacement parts.

This Selection Guide provides an easy reference for determining the part number of the Replacement Engine, Service Engine, Short Block, or Miniblock required for the repower method selected. It also lists the part number of the crankshaft installed in the original engine.

Locate the engine specification number in the index below. Select the part number of the repair method listed in the adjacent columns. Refer to pages 13-15 for Service Engine Data.

ENGINE SPECIFICATIONS

Engine Spec. No.	Sugg. Service/Replac. Engine	Required Crankshaft Change	Original Engine Crankshaft No.	Engine Modifica.	Replac. Short Block	Replac. Miniblock	Engine Spec. No.	Sugg. Service/Replac. Engine	Required Crankshaft Change	Original Engine Crankshaft No.	Engine Modifica.	Replac. Short Block	Replac. Miniblock
4710	47176	-	47 142 16	C	77 522 34	47 782 51	4770	-	-	47 142 22	-	77 522 26	47 782 56
4711	47176	-	47 142 16	J	-	47 782 54	4771	47176	-	47 142 16	C	77 522 34	47 782 51
4712	-	-	47 142 16	-	77 522 34	47 782 51	4772	47188	-	47 142 24	C	77 522 03	47 782 54
4713	-	-	A-235831 ⁵	-	-	47 782 54	4773	47188	-	47 142 24	C	77 522 03	47 782 54
4714	-	-	-	-	-	-	4774	47176	-	47 142 16	C, J	-	47 782 52
4715	47176	-	47 142 16	-	77 522 02	47 782 54	4775	47462	-	47 142 20	C	-	47 782 52
4716	47176	-	47 142 19	J	-	47 782 52	4776	47176	-	47 142 16	C, J	77 522 34	47 782 52
4717	-	-	47 142 16	-	77 522 34	47 782 52	4777 ¹	47176	-	47 142 16	C	77 522 34	47 782 52
4718	-	-	47 142 16	-	-	47 782 52	4778	-	-	47 142 19	-	-	47 782 54
4719	-	-	47 142 18	-	-	47 782 52	4779	47187	-	47 142 19	-	-	47 782 52
4720	47176	-	47 142 18	C	77 522 54	47 782 51	4780	47176	-	47 142 16	C	77 522 34	47 782 51
4721	47187	Yes	47 142 22	-	-	47 782 52	4781	-	-	47 142 16	-	-	47 782 52
4722	47176	-	47 142 16	J	-	47 782 52	4782	47176	-	47 142 16	C	-	47 782 52
4723	47184	-	47 142 18	-	77 522 06	-	4783	47176	-	47 142 16	C	77 522 34	47 782 51
4724	-	-	-	-	-	47 782 54	4784	47465	Yes	47 142 17	J	77 522 05	47 782 56
4725	47176	-	47 142 16	C	77 522 34	47 782 51	4785	47187	-	47 142 16	C	-	-
4726	47176	-	47 142 16	J	-	47 782 54	4786	47183	-	47 142 22	C	-	-
4727	-	-	47 142 17	-	-	47 782 54	4787	47176	-	47 142 16	C	-	47 782 54
4728	47462	-	47 142 20	-	-	47 782 54	4788	-	-	47 142 16	-	-	-
4729	-	-	47 142 44	-	-	47 782 52	4789	47176	-	47 142 16	C	77 522 34	47 782 52
4730	47176	-	47 142 16	J	-	47 782 54	4790	47187	-	A-235911 ⁵	J	-	47 782 52
4731	-	-	47 142 22	-	-	-	4791	47176	-	47 142 16	J	77 522 34	47 782 52
4732	-	-	47 142 19	-	-	47 782 51	4792	-	-	47 142 16	-	77 522 34	47 782 52
4733	-	-	47 142 16	-	77 522 34	47 782 52	4793	47465	-	47 142 30	-	-	47 782 59
4734	-	-	B-236704 ⁵	-	-	-	4794	47176	-	47 142 16	C	77 522 34	47 782 52
4735	-	-	47 142 16	-	-	47 782 52	4795	-	-	47 142 19	-	-	B-237859 ⁵
4736	-	-	47 142 16	-	-	-	4796	47176	-	47 142 16	C	77 522 34	47 782 51
4737	47176	-	47 142 16	J	77 522 34	47 782 52	4797	47176	-	47 142 16	C	77 522 34	47 782 51
4738	47176	-	47 142 16	J	-	47 782 54	4798	47176	-	47 142 16	C	-	47 782 52
4739	47176	-	47 142 16	-	77 522 34	47 782 52	4799	-	-	B-236704 ⁵	-	-	-
4740	47176	-	47 142 16	-	77 522 34	47 782 51	47100	-	-	47 142 16	-	-	-
4741	47176	-	47 142 16	C	77 522 34	47 782 51	47101	47176	-	47 142 16	C	77 522 34	47 782 51
4742	47176	-	47 142 16	J	-	47 782 54	47102	47183	-	47 142 22	C	-	-
4743	-	-	B-235920 ⁵	-	-	47 782 54	47103	-	-	47 142 19	-	-	B-237859 ⁵
4744	47462	-	47 142 20	C	77 522 22	47 782 52	47104	47176	-	47 142 16	C	-	47 782 54
4745	-	-	47 142 16	-	-	-	47105	47176	-	47 142 16	-	-	47 782 54
4746	47504	-	47 142 30	-	-	47 782 58	47106	47465	-	47 142 30	J	-	47 782 58
4747	47183	-	47 142 22	C	-	47 782 51	47107	47176	-	47 142 16	C, F	77 522 34	47 782 51
4748	47176	-	47 142 16	C	-	47 782 52	47108	47176	-	47 142 16	C	77 522 34	47 782 51
4749 ³	47176	-	47 142 16	C	77 522 34	47 782 51	47109	-	-	47 142 19	-	-	-
4750	47176	-	47 142 16	-	77 522 34	47 782 52	47110	-	-	47 142 16	-	-	47 782 56
4751	-	-	47 142 19	-	-	47 782 54	47111	47176	-	47 142 16	C	77 522 34	47 782 51
4752	47462	-	47 142 20	C	77 522 22	47 782 52	47112	47176	-	47 142 16	C	77 522 34	47 782 51
4753 ¹	47462	-	47 142 20	C	77 522 22	47 782 52	47113	47176	-	47 142 16	C	77 522 34	47 782 51
4754	-	-	47 142 16	-	-	-	47114	47183	-	47 142 22	-	-	-
4755	-	-	47 142 16	-	-	-	47115	47183	-	47 142 22	C	-	-
4756	47176	Yes	B-235933 ⁵	C	-	47 782 51	47116	-	-	47 142 19	-	-	B-237859 ⁵
4757	47176	-	47 142 16	C	77 522 34	47 782 51	47118	-	-	47 142 19	-	-	-
4758	47176	-	47 142 16	C	77 522 34	47 782 51	47119	-	-	47 142 19	-	-	B-237859 ⁵
4759	47504	-	47 142 30	-	-	47 782 58	47120	-	-	47 142 30	-	-	-
4760	-	-	47 142 18	-	-	47 782 52	47121	47465	-	47 142 30	C	-	47 782 58
4761	47176	-	47 142 16	C	77 522 34	47 782 51	47122	47184	-	47 142 18	-	77 522 06	-
4762	47462	-	47 142 20	C	77 522 22	47 782 52	47123	-	-	47 142 25	-	-	-
4763	47465	-	47 142 30	-	77 522 20	47 782 59	47124	47462	-	47 142 20	C	-	47 782 52
4764	47176	-	47 142 16	C	77 522 34	47 782 52	47125	47184	-	47 142 18	B	77 522 06	-
4765	47186	-	47 142 16	-	77 522 02	-	47126	47184	-	47 142 18	B	77 522 06	-
4766	47176	-	47 142 16	C	77 522 34	47 782 51	47127	47176	-	47 142 16	C	77 522 34	47 782 51
4767	-	-	B-235963 ⁵	-	-	47 782 52	47128	47176	-	47 142 16	C	77 522 34	47 782 51
4768	-	-	B-235963 ⁵	-	-	47 782 52	47129	47176	-	47 142 16	C, F	77 522 34	47 782 51
4769	47183	-	47 142 22	C	-	-	47130	-	-	47 142 26	-	-	-

¹Basic Engine

²Order four (4) 25 112 02 spacers for pilotless applications.

³Replacement Engine

⁴Transfer bearing plate. Order and install 47 038 05 dipstick and 47 123 10 tube.

⁵Discontinued, not available at Kohler Co.

ENGINE SPECIFICATIONS

K301

Engine Spec. No.	Sugg. Service/ Replac. Engine	Required Crankshaft Change	Original Engine Crankshaft No.	Engine Modifica.	Replac. Short Block	Replac. Miniblock	Engine Spec. No.	Sugg. Service/ Replac. Engine	Required Crankshaft Change	Original Engine Crankshaft No.	Engine Modifica.	Replac. Short Block	Replac. Miniblock
47131	47176	-	47 142 16	C, J	-	47 782 54	47197	47184	-	47 142 18	A	77 522 06	-
47133	-	-	B-236610 ⁵	-	-	47 782 52	47198	-	-	B-236704 ⁵	-	-	47 782 52
47134	47187	-	47 142 19	C	-	47 782 52	47199	-	-	47 142 25	-	-	-
47135	47176	-	47 142 16	-	77 522 34	47 782 51	47200	-	-	45 142 29	-	-	-
47136	47176	-	47 142 16	D	77 522 34	47 782 51	47201	47176	-	47 142 16	C, F	-	47 782 52
47137	47462	-	47 142 20	C	-	47 782 52	47202	-	-	47 142 16	-	77 522 02	47 782 54
47138	47504	-	47 142 30	-	77 522 12	47 782 58	47204	-	-	47 142 16	-	77 522 34	47 782 52
47139	47186	-	47 142 16	-	77 522 02	47 782 54	47205	-	-	47 142 16	-	-	47 782 52
47140	47176	-	47 142 16	C	77 522 34	47 782 51	47206	-	-	45 142 22	-	-	-
47141	-	-	47 142 16	-	-	47 782 56	47207	-	-	B-235920 ⁵	-	-	47 782 54
47142	47176	-	47 142 16	D	77 522 34	47 782 51	47208	47184	-	47 142 18	A, B	77 522 06	-
47143	47176	-	47 142 16	D	-	47 782 52	47209	47184	-	47 142 18	A, B	77 522 06	-
47144	47176	-	47 142 16	J	77 522 34	47 782 51	47210	47176	-	47 142 16	C, F	77 522 34	47 782 51
47145B	47460	-	47 142 16	C, H	-	47 782 51	47211	-	-	A-235911 ⁵	-	-	-
47145C	47460	-	47 142 16	C, H	77 522 33	47 782 52	47212	-	-	47 142 19	-	-	-
47146	-	-	47 142 16	-	-	-	47213	-	-	47 142 20	-	-	-
47147B	-	-	47 142 16	-	77 522 34	47 782 52	47214	-	-	47 142 26	-	-	-
47147C	-	-	47 142 16	-	77 522 33	47 782 52	47215	47188	-	47 142 24	C	77 522 03	47 782 54
47148	47504	-	47 142 30	D, G	-	47 782 58	47216	47188	-	47 142 24	C	77 522 03	47 782 54
47149	-	-	47 142 22	-	-	-	47217	47176	-	47 142 16	C, J	-	47 782 52
47150	-	-	47 142 16	-	-	-	47219	-	-	47 142 30	-	-	-
47151	47176	-	47 142 16	C	77 522 34	47 782 51	47220	-	-	47 142 30	-	-	47 782 56
47152	47184	-	47 142 18	A	77 522 06	-	47221	47176	-	47 142 16	J	-	47 782 52
47153	47465	-	47 142 30	D, J	-	47 782 58	47222	47462	-	47 142 20	C	77 522 22	47 782 52
47154	47184	-	47 142 18	-	77 522 06	-	47223	-	-	47 142 22	-	-	-
47155	47184	-	47 142 18	B	77 522 06	-	47224	-	-	47 142 16	-	-	-
47156	47184	-	47 142 18	A, B	77 522 06	-	47225	47176	-	B-236610 ⁵	C	-	47 782 52
47157	47183	Yes	47 142 22	C	-	47 782 51	47226	47176	-	47 142 16	C	-	47 782 52
47158	47462	-	47 142 20	C	-	47 782 52	47227	47184	-	47 142 18	A	-	47 782 51
47159	47176	Yes	47 142 44	C	-	47 782 52	47228	47188	-	47 142 24	C, F	77 522 03	47 782 54
47160	-	-	47 142 26	-	77 522 04 ⁴	-	47229	-	-	47 142 19	-	-	-
47161	47184	-	47 142 18	-	77 522 06	-	47230	-	-	47 142 19	-	-	B-237859 ⁵
47162	47176	-	47 142 16	-	77 522 34	47 782 52	47231	-	-	47 142 16	-	-	-
47163	47184	-	47 142 18	-	77 522 06	-	47232B	-	-	47 142 25	-	77 522 21	47 782 53
47164	47504	-	47 142 30	D	-	-	47232C	-	-	47 142 25	-	77 522 21	47 782 53
47165	47504	-	47 142 30	G	-	-	47233	47176	-	47 142 16	C	-	47 782 54
47167	47188	-	47 142 24	C	77 522 03	47 782 54	47234	47188	-	47 142 24	C, H, K	77 522 03	47 782 54
47168	-	-	47 142 16	-	-	47 782 56	47235	47176	-	47 142 16	C	77 522 34	47 782 51
47169	47176	-	47 142 16	C, J	-	47 782 52	47236	47176	-	47 142 16	-	77 522 34	47 782 51
47170	47184	-	47 142 18	B	77 522 06	-	47237	47176	-	47 142 16	C	77 522 34	47 782 52
47171	47186	-	47 142 16	C	-	-	47238	47186	-	47 142 16	J	77 522 02	47 782 64
47173	-	-	A-235911	-	-	-	47239	-	-	47 142 16	-	-	47 782 52
47174	47186	-	47 142 16	C	-	47 782 51	47240	47184	-	47 142 18	A, B	77 522 06	-
47175	-	-	47 142 26	-	77 522 04	-	47241	47176	-	47 142 16	J	77 522 34	47 782 52
47176	47176	-	47 142 16	-	77 522 34	47 782 52	47242	-	-	47 142 22	-	-	-
47177	47183	-	47 142 22	C	-	47 782 51	47243	-	-	47 142 16	-	-	47 782 54
47178	47187	-	47 142 19	D	-	47 782 52	47244	47176	-	47 142 16	C	77 522 34	47 782 54
47179	47176	-	47 142 16	C, J	77 522 34	47 782 52	47245	47188	-	47 142 24	C	77 522 03	47 782 54
47180	-	-	47 142 16	-	-	-	47246	-	-	47 142 16	-	-	47 782 52
47181	47188	-	47 142 24	C, H, K	77 522 03	47 782 54	47247	47460	-	47 142 16	C, H	-	47 782 52
47182	47184	-	47 142 18	-	77 522 06	-	47248	-	-	47 142 19	-	-	B-237859 ⁵
47183	47183	-	47 142 19	-	-	47 782 55	47249	47460	-	47 142 16	C, H	-	47 782 54
47184	47184	-	47 142 18	-	77 522 06	-	47250	47187	-	47 142 19	C	-	47 782 52
47185	-	-	47 142 22	-	77 522 26	47 782 56	47251	-	-	B-237005 ⁵	-	-	-
47186	-	-	47 142 16	-	-	47 782 55	47252	47460	-	47 142 16	H	77 522 33	47 782 51
47187	47187	-	47 142 19	-	-	47 782 52	47253	-	-	47 142 16	-	-	47 782 58
47188	47188	-	47 142 24	-	77 522 03	47 782 54	47254	47460	-	47 142 16	D, G	77 522 34	47 782 51
47189	47176	-	47 142 16	D, J	-	47 782 54	47255	-	-	47 142 16	-	77 522 33	47 782 52
47190	-	-	47 142 19	-	-	B-237859 ⁵	47257	-	-	B-236704 ⁵	-	-	47 782 54
47191	-	-	47 142 19	-	-	-	47258	47184	-	47 142 18	A, B	77 522 06	-
47192	-	-	47 142 19	-	-	B-237859 ⁵	47259	47184	-	47 142 18	A	77 522 06	-
47193	-	-	47 142 16	-	-	-	47260	47184	-	47 142 18	A, B	77 522 06	-
47194	-	-	47 142 30	-	-	-	47261	47184	-	47 142 18	A, B	77 522 06	-
47195	-	-	47 142 30	-	-	-	47262	47184	-	47 142 18	A	-	47 782 51
47196	47462	-	47 142 20	C, F	-	47 782 52	47263	47184	-	47 142 18	A, B	77 522 06	-

*Transfer bearing plate. Order and install 47 038 05 dipstick and 47 123 10 tube.
⁵Discontinued, not available at Kohler Co.

¹Basic Engine
²Order four (4) 25 112 02 spacers for pilotless applications.
³Replacement Engine

K301

ENGINE SPECIFICATIONS

Engine Spec. No.	Sugg. Service/ Replac. Engine	Required Crankshaft Change	Original Engine Crankshaft No.	Engine Modifica.	Replac. Short Block	Replac. Miniblock	Engine Spec. No.	Sugg. Service/ Replac. Engine	Required Crankshaft Change	Original Engine Crankshaft No.	Engine Modifica.	Replac. Short Block	Replac. Miniblock
47264	-	-	47 142 17	-	-	47 782 54	47331	47184	-	47 142 18	A, B	77 522 06	-
47265	-	-	47 142 16	-	77 522 33	47 782 52	47332	-	-	47 142 16	-	77 522 02	47 782 54
47266	-	-	47 142 26	-	-	-	47333	47184	-	47 142 18	A	77 522 06	-
47267	47188	-	47 142 24	C	77 522 03	47 782 54	47334	47184	-	47 142 18	A	-	47 782 51
47268	47176	-	47 142 16	-	77 522 02	47 782 54	47335	47460	-	47 142 16	G	77 522 23	47 782 54
47269	47184	-	47 142 18	A	-	47 782 51	47336	-	-	47 142 20	-	-	47 782 54
47270	-	-	47 142 20	-	-	47 782 52	47337	47184	-	47 142 18	A	-	47 782 51
47271	-	-	47 142 16	-	-	-	47338	-	-	47 142 16	-	-	-
47272	47176	-	47 142 16	C, H	77 522 33	47 782 52	47339	47460	-	47 142 16	G	77 522 33	47 782 52
47273	47460	-	47 142 16	C, H	-	47 782 54	47340	47460	-	47 142 16	G	77 522 33	47 782 51
47274	47176	-	47 142 16	C	77 522 34	47 782 51	47342	-	-	47 142 16	-	77 522 02	47 782 54
47275	47460	-	47 142 16	G	77 522 33	47 782 51	47343	47184	-	47 142 18	-	77 522 06	-
47276	47184	-	47 142 18	A	-	47 782 51	47344	47462	-	47 142 20	C	77 522 22	47 782 52
47277B	-	-	47 142 16	-	77 522 34	47 782 52	47345	47188	-	47 142 24	C, H, K	77 522 03	47 782 54
47277C	-	-	47 142 16	-	77 522 33	47 782 52	47346	47460	-	47 142 16	G	77 522 33	47 782 51
47278	47460	-	47 142 16	G	77 522 33	47 782 54	47347	47504	-	47 142 30	-	77 522 12	47 782 58
47279	-	-	47 142 16	-	77 522 33	47 782 52	47348	47184	-	47 142 18	A	-	47 782 51
47280	-	-	47 142 16	-	-	-	47349	-	-	47 142 22	-	77 522 26	47 782 56
47281	-	-	47 142 16	-	77 522 33	47 782 52	47350	47460	-	47 142 16	G	77 522 33	47 782 51
47282	47460	-	47 142 16	H	-	47 782 52	47351	47462	-	47 142 20	C, L	77 522 22	47 782 52
47283	-	-	47 142 16	-	77 522 33	47 782 52	47352	47176	-	47 142 16	C	77 522 34	47 782 51
47284B	-	-	47 142 16	-	77 522 34	47 782 52	47353	-	-	47 142 17	-	-	-
47284C	-	-	47 142 16	-	77 522 33	47 782 52	47354	-	-	47 142 17	-	-	-
47286	47176	-	47 142 16	F	-	47 782 52	47355	47184	-	47 142 18	C	77 522 06	-
47287	-	-	47 142 16	-	-	47 782 52	47356	47184	-	47 142 18	A	-	47 782 51
47288	47184	-	47 142 18	A	77 522 06	-	47357	47184	-	47 142 18	B	77 522 06	-
47289	47460	-	47 142 16	C, H	77 522 33	47 782 51	47358 ¹	47176	-	47 142 16	C	77 522 34	47 782 52
47290	47184	-	47 142 18	A	-	47 782 51	47359	47184	-	47 142 18	A, B	77 522 06	-
47291	47460	-	47 142 16	A, F, H	-	47 782 52	47360	47184	-	47 142 18	C	77 522 06	-
47292	-	-	47 142 27	-	-	-	47361	47184	-	47 142 18	C	77 522 06	-
47293	-	-	47 142 17	-	-	47 782 52	47362	47460	-	47 142 16	C, H	77 522 06	47 782 52
47294	-	-	47 142 30	-	-	-	47363	-	-	47 142 22	-	-	-
47295	47460	-	47 142 16	E, H	77 522 07	-	47364	47176	-	47 142 16	-	-	47 782 54
47296	47460	-	47 142 16	C, H	-	47 782 51	47365	-	-	47 142 20	-	-	47 782 52
47297	-	-	47 142 19	-	-	B-237859 ⁵	47366	47176	-	47 142 16	C	77 522 34	47 782 51
47298	-	-	B-236704 ⁴	-	-	-	47367	47460	-	47 142 16	D, G	77 522 33	47 782 51
47299	-	-	47 142 16	-	77 522 33	47 142 52	47368	47184	-	47 142 18	A	77 522 06	-
47300	-	-	47 142 19	-	-	47 782 53	47369	-	-	47 142 16	-	77 522 33	47 782 51
47301	47184	-	47 142 18	A	77 522 06	-	47370	47184	-	47 142 18	-	77 522 06	-
47302	47184	-	47 142 18	B	77 522 06	-	47371	47460	-	47 142 16	G	77 522 33	47 782 52
47303	47460	-	47 142 16	G	77 522 33	47 782 52	47372	-	-	47 142 16	-	77 522 33	47 782 52
47304	47460	-	47 142 16	C, H	-	47 782 54	47373	47184	-	47 142 18	B	77 522 06	-
47305	47460	-	47 142 16	C, H	77 522 33	47 782 51	47374	-	-	47 142 19	-	-	47 782 51
47306	-	-	47 142 22	-	77 522 26	47 782 56	47375	47460	-	47 142 16	C, H	77 522 33	47 782 52
47307	-	-	47 142 16	-	77 522 33	47 782 52	47376	47504	-	47 142 30	-	77 522 12	47 782 58
47308	47184	-	47 142 18	A	-	47 782 51	47378	-	-	47 142 44	-	-	47 782 52
47309	-	-	B-237005 ⁵	-	-	47 782 54	47379	-	-	47 142 16	-	77 522 33	47 782 52
47310	47186	-	B-237005 ⁵	E, H	-	47 782 54	47380	47462	-	47 142 20	C, F	-	47 782 52
47311	47188	-	47 142 24	H	-	47 782 54	47381	-	-	47 142 16	-	-	47 782 54
47312	47187	-	47 142 19	-	-	47 782 51	47382	-	-	47 142 22	-	77 522 26	47 782 56
47313	-	-	47 142 16	-	77 522 33	47 782 52	47383	-	-	47 142 30	-	-	-
47314	-	-	47 142 19	-	-	47 782 51	47384	-	-	47 142 30	-	-	-
47315	-	-	B-236704 ⁴	-	-	47 782 52	47385	47176	Yes	47 142 30	-	-	47 782 52
47317	47184	-	47 142 18	A, B	77 522 06	-	47386	-	-	47 142 16	-	-	-
47318	47184	-	47 142 18	A	77 522 06	-	47387	-	-	47 142 16	-	77 522 33	47 782 51
47319	47184	-	47 142 18	C	77 522 06	-	47388	47184	-	47 142 18	-	77 522 06	-
47320	47176	-	47 142 16	D, G	-	47 782 52	47389	-	-	47 142 22	-	77 522 07	47 782 52
47321	47184	-	47 142 18	B	77 522 06	-	47390	47184	-	47 142 18	C	77 522 06	-
47323	47184	-	47 142 18	B	77 522 06	-	47391	-	-	47 142 19	-	-	47 782 51
47324	47184	-	47 142 18	-	77 522 06	-	47392	47184	-	47 142 18	A	-	47 782 51
47326	-	-	47 142 16	-	-	-	47393	-	-	47 142 16	-	77 522 06	47 782 59
47327	47184	-	47 142 18	A, B	77 522 06	-	47394B	47460	-	47 142 16	C, H	77 522 33	47 782 51
47328	47184	-	47 142 18	B	77 522 06	-	47394C	47460	-	47 142 16	C, H	77 522 33	47 782 51
47329	-	-	47 142 20	-	-	-	47395	-	-	47 142 26	-	77 522 04	47 782 57
47330	47184	-	47 142 18	-	-	47 782 55	47396	47184	-	47 142 18	B	77 522 06	-

¹Basic Engine

²Order four (4) 25 112 02 spacers for pilotless applications.

³Replacement Engine

⁴Transfer bearing plate. Order and install 47 038 05 dipstick and 47 123 10 tube.

⁵Discontinued, not available at Kohler Co.

ENGINE SPECIFICATIONS

K301

Engine Spec. No.	Sugg. Service/ Replac. Engine	Required Crankshaft Change	Original Engine Crankshaft No.	Engine Modifica.	Replac. Short Block	Replac. Miniblock	Engine Spec. No.	Sugg. Service/ Replac. Engine	Required Crankshaft Change	Original Engine Crankshaft No.	Engine Modifica.	Replac. Short Block	Replac. Miniblock
47397	47460	-	47 142 16	C, H	77 522 33	47 782 52	47462	47462	-	47 142 20	-	77 522 22	47 782 52
47398	47504	-	47 142 30	-	77 522 12	47 782 58	47463	47183	-	47 142 19	D	-	47 782 52
47399	-	-	47 142 26	-	77 522 04	-	47464	47184	-	47 142 18	-	77 522 06	-
47400	-	-	47 142 16	-	77 522 33	47 782 59	47465	47465	-	47 142 27	-	-	47 782 56
47401	47504	-	47 142 19	G	-	47 782 60	47466	-	-	47 142 19	-	-	47 782 59
47402	47460	-	47 142 16	G	77 522 33	47 782 54	47467	47460	-	47 142 16	-	77 522 33	47 782 51
47403	47460	-	47 142 16	G	77 522 33	47 782 52	47468	47186	-	47 142 16	C	77 522 02	47 782 54
47404	47460	-	47 142 16	G	77 522 33	47 782 51	47469	47184	-	47 142 18	A, B	77 522 06	-
47405	-	-	47 142 26	-	-	47 782 57	47470	-	-	47 142 16	-	77 522 06	47 782 59
47406	-	-	47 142 27	-	77 522 11	47 782 57	47471	-	-	47 142 18	-	77 522 06	-
47407	47460	-	47 142 16	G	77 522 33	47 782 52	47472	47184	-	47 142 18	-	77 522 06	-
47408	47184	-	47 142 18	A, B	77 522 06	-	47473	47460	Yes	47 142 18	H	-	47 782 52
47409	47184	-	47 142 18	B	77 522 06	-	47474	-	-	47 142 27	-	77 522 11	47 782 61
47410	-	-	47 142 25	-	77 522 21	47 782 53	47475	47460 ²	Yes	47 142 19	G	-	47 782 52
47411	47460	-	47 142 16	G	77 522 33	47 782 52	47476	47460 ²	-	47 142 16	C, H	77 522 33	47 782 52
47412	47460	-	47 142 16	C, H	77 522 33	47 782 52	47477	47176	Yes	47 142 18	C	-	47 782 52
47413	47460	-	47 142 16	G	77 522 33	47 782 52	47478	47460	-	47 142 16	C, H	77 522 33	47 782 52
47414	47460	-	47 142 16	E, H	77 522 33	47 782 52	47479	-	-	47 014 01	-	-	47 782 58
47415	-	-	47 142 26	-	-	-	47480	-	-	47 142 16	-	77 522 23	47 782 54
47416	47460	-	47 142 16	D, G	77 522 33	47 782 51	47481	-	-	47 142 18	-	77 522 09	B-237864 ⁵
47417	47460	-	47 142 16	D, G	77 522 33	47 782 52	47482	-	-	47 142 16	-	77 522 23	47 782 54
47418	47184	-	47 142 18	B	77 522 06	-	47483	-	-	47 142 18	-	77 522 09	B-237864 ⁵
47419	-	-	47 142 26	-	-	47 782 57	47484	47460	-	47 142 16	C, H	77 522 23	47 782 54
47420	-	-	47 142 16	-	77 522 23	47 782 54	47485	-	-	47 142 22	-	77 522 26	47 782 56
47421	47460	-	47 142 16	G	77 522 33	47 782 52	47486	47184	-	47 142 18	-	77 522 06	-
47422	-	-	47 142 22	-	77 522 07	47 782 52	47487	47184	-	47 142 18	-	77 522 06	-
47423	47460	-	47 142 16	G	77 522 33	47 782 51	47488	47184	-	47 142 18	-	77 522 06	-
47424	-	-	47 142 16	-	77 522 23	47 782 54	47489	-	-	47 142 18	-	77 522 06	-
47425	47460	Yes	47 142 20	C, H	-	47 782 52	47490	47460 ²	-	47 142 16	C, H	77 522 33	47 782 52
47426	47460	-	47 142 16	C, H	77 522 33	47 782 51	47491	47188	-	47 142 24	-	77 522 03	47 782 54
47427	47176	Yes	47 142 18	-	-	47 782 52	47492	47460 ²	Yes	47 142 19	H	-	47 782 52
47428	-	-	47 142 20	-	-	47 782 54	47493	-	-	47 142 16	-	-	47 782 61
47429	47186	Yes	47 142 18	-	-	47 782 51	47494	47460	-	47 142 16	C, H	77 522 33	47 782 52
47430	-	-	47 142 18	-	77 522 09	B-237864 ⁵	47495	47187	-	47 142 19	C	-	47 782 52
47431	47460	-	47 142 16	C, H	77 522 33	47 782 52	47496	47184	-	47 142 18	C	77 522 06	-
47432	47184	-	47 142 18	A	-	47 782 51	47497	47176	-	47 142 16	D	77 522 34	47 782 54
47433	-	-	47 142 27	-	77 522 11 ¹	47 782 57	47498	47460	-	47 142 16	-	-	47 782 54
47434	47460	Yes	47 142 44	C, H	-	47 782 52	47499	-	-	47 142 16	-	77 522 33	47 782 52
47435	47460	Yes	47 142 18	C, H	-	47 782 52	47500	47184	-	47 142 18	A	77 522 06	-
47436	47460	-	47 142 16	G	77 522 33	47 782 51	47501	-	-	47 142 30	-	77 522 12	47 782 60
47437	-	-	47 142 18	-	77 522 06	-	47502	-	-	47 142 16	-	77 522 24	47 782 62
47438	47460	-	47 142 16	C, H	77 522 33	47 782 51	47504	47504	-	47 142 30	-	77 522 12	47 782 60
47439	47184	-	47 142 18	A, B	77 522 06	-	47505	-	-	47 142 30	-	-	47 782 57
47440	-	-	47 142 20	-	-	47 782 54	47506	47460	-	47 142 16	G	77 522 33	47 782 52
47441	47460	-	47 142 16	H	77 522 33	47 782 52	47507	47176 ²	-	47 142 16	C, H	77 522 34	47 782 51
47442	-	-	47 142 22	-	-	-	47508	-	-	47 142 16	-	77 522 23	47 782 54
47443	47184	-	47 142 18	-	-	47 782 51	47509	47176	-	47 142 16	C	77 522 34	47 782 52
47444	-	-	47 142 19	-	-	47 782 54	47510	-	-	47 142 30	-	-	-
47445	47460	-	47 142 16	C, H	-	47 782 52	47511	47184	-	47 142 18	A	77 522 06	-
47446	47504	-	47 142 30	-	77 522 12	47 782 60	47512	47460	-	47 142 16	G	77 522 33	47 782 51
47447	47184	-	47 142 18	A, B	77 522 06	-	47513	-	-	47 142 18	-	77 522 09	B-237864 ⁵
47448	-	-	47 142 16	-	77 522 06	47 782 59	47514	47188	-	47 142 24	-	77 522 03	47 782 54
47449	47460	-	47 142 16	-	77 522 06	47 782 54	47515	-	-	47 142 16	-	77 522 33	47 782 52
47450	47184	-	47 142 18	A, B	77 522 06	-	47516	-	-	47 142 16	-	-	-
47451	-	-	47 142 16	-	77 522 23	47 782 54	47517	47460	-	47 142 16	D, G	77 522 33	47 782 51
47452	-	-	47 142 16	-	77 522 23	47 782 54	47518	47460	-	47 142 16	D, G	77 522 33	47 782 51
47453	47184	-	47 142 18	B	77 522 06	-	47519	-	-	47 142 16	-	77 522 33	47 782 52
47454	-	-	47 142 16	-	77 522 23	47 782 54	47520	-	-	47 142 27	-	77 522 11	47 782 61
47455	-	-	47 142 22	-	77 522 27	47 782 56	47521	47176	-	47 142 16	G	77 522 33	47 782 51
47456	47460	-	47 142 16	G	77 522 33	47 782 52	47522	47460	-	47 142 16	-	77 522 33	47 782 51
47457	-	-	47 142 19	-	-	B-237859 ⁵	47523	47622 ³	Yes	47 142 30	-	-	47 782 62
47458	47460 ²	Yes	47 142 22	G	77 522 07	47 782 52	47524	47176 ²	-	47 142 16	C	77 522 34	47 782 51
47459	47814 ³	-	47 142 25	-	77 522 21	47 782 53	47525	47176 ²	-	47 142 16	D	77 522 34	47 782 52
47460	47460	-	47 142 16	-	77 522 33	47 782 52	47526	-	-	47 142 16	-	77 522 33	47 782 52
47461	-	-	47 142 19	-	-	B-237859 ⁵	47527	47176	-	47 142 16	-	77 522 34	47 782 52

¹Transfer bearing plate. Order and install 47 038 05 dipstick and 47 123 10 tube.
⁵Discontinued, not available at Kohler Co.

¹Basic Engine
²Order four (4) 25 112 02 spacers for pilotless applications.
³Replacement Engine

K301

ENGINE SPECIFICATIONS

Engine Spec. No.	Sugg. Service/ Replac. Engine	Required Crankshaft Change	Original Engine Crankshaft No.	Engine Modifica.	Replac. Short Block	Replac. Miniblock	Engine Spec. No.	Sugg. Service/ Replac. Engine	Required Crankshaft Change	Original Engine Crankshaft No.	Engine Modifica.	Replac. Short Block	Replac. Miniblock
47528	47176	-	47 142 16	-	77 522 34	47 782 52	47593	-	-	47 142 18	-	77 522 06	-
47529	-	-	47 142 22	-	77 522 27	47 782 56	47594	-	-	47 142 18	-	77 522 06	-
47530	47460 ²	-	47 142 16	G	77 522 33	47 782 52	47595	-	-	47 142 18	-	77 522 06	-
47531	47460	Yes	47 142 20	C, H	-	47 782 52	47596	-	-	47 142 18	-	77 522 06	-
47532	47462	-	47 142 20	C	77 522 22	47 782 52	47597	-	-	47 142 18	-	77 522 06	-
47533	-	-	47 142 16	-	77 522 33	47 782 52	47598	-	-	47 142 18	-	77 522 06	-
47534	47176	-	47 142 16	D	77 522 34	47 782 52	47599	-	-	47 142 25	-	77 522 30	47 782 53
47535	-	-	47 142 27	-	77 522 11	47 782 61	47600	47622 ³	-	47 142 30	-	77 522 13	47 782 62
47536	47176 ²	-	47 142 16	D	77 522 34	47 782 52	47601	47814 ³	-	47 142 25	-	77 522 21	47 782 53
47537	-	-	47 142 16	-	77 522 33	47 782 52	47602	-	-	47 142 16	-	77 522 02	47 782 54
47538	-	-	47 142 16	-	77 522 34	47 782 52	47603	-	-	47 142 16	-	77 522 02	47 782 54
47539	47184	-	47 142 18	A, B	77 522 06	-	47604	-	-	47 142 26	-	-	-
47540	47460 ²	Yes	47 142 26	G	77 522 10	47 782 52	47605	47176 ²	-	47 142 16	-	77 522 11	47 782 52
47541	47622 ³	-	47 142 30	-	77 522 13	47 782 62	47606	47805 ³	-	47 142 16	-	77 522 24	47 782 62
47542	-	-	47 142 27	-	77 522 11	47 782 61	47607	47176 ²	-	47 142 16	C	77 522 34	47 782 51
47543	47462	-	47 142 20	D	77 522 22	47 782 52	47608	-	-	47 142 30	-	-	47 782 54
47544	-	-	47 142 16	-	77 522 33	47 782 52	47609	47460 ²	Yes	47 142 19	H	-	47 782 51
47545	47176 ²	-	47 142 16	-	77 522 34	47 782 51	47610	-	-	47 142 24	-	77 522 03	47 782 54
47546	47462	-	47 142 20	-	77 522 22	47 782 52	47611	-	-	47 142 16	-	77 522 33	47 782 52
47547	47460	-	47 142 16	C, H	77 522 33	47 782 52	47612	-	-	47 142 22	-	77 522 27	47 782 56
47548	47460	-	47 142 16	E, H	77 522 33	47 782 52	47613	47460	-	47 142 16	G	77 522 33	47 782 52
47549	-	-	47 142 16	-	77 522 33	47 782 52	47614	-	-	47 142 16	-	77 522 23	47 782 54
47550	47176	-	47 142 44	C	-	47 782 52	47615	47460 ²	-	47 142 16	C, H	77 522 33	47 782 51
47551	47184	-	47 142 18	-	77 522 06	-	47617	-	-	47 142 16	-	77 522 33	47 782 52
47552	47184	-	47 142 18	A	77 522 06	-	47618	-	-	47 142 16	-	77 522 33	47 782 52
47553	47184	-	47 142 18	C	77 522 06	-	47619	47176 ²	-	47 142 16	-	77 522 34	47 782 52
47554	47184	-	47 142 18	-	77 522 06	-	47620	-	-	47 142 27	-	77 522 11	47 782 61
47555	47184	-	47 142 18	A	77 522 06	-	47621	47803 ³	-	47 142 16	-	77 522 33	47 782 52
47556	47184	-	47 142 18	B	77 522 06	-	47622 ³	47622 ³	-	47 142 30	-	77 522 13	47 782 59
47557	47184	-	47 142 18	C	77 522 06	-	47623	-	Yes	47 142 27	-	-	47 782 53
47558	47184	-	47 142 18	C	77 522 06	-	47624	47460 ²	-	47 142 16	G	77 522 33	47 782 52
47559	47184	-	47 142 18	-	77 522 06	-	47625	-	-	47 142 16	-	77 522 33	47 782 52
47560	47184	-	47 142 18	B	77 522 06	-	47626	-	-	47 142 16	-	77 522 33	47 782 52
47561	47184	-	47 142 18	A	77 522 06	-	47627	47705 ³	-	47 142 17	-	77 522 17	47 782 56
47562	47184	-	47 142 18	A	77 522 06	-	47628	47460 ²	-	47 142 16	C, H	77 522 33	47 782 52
47563	47184	-	47 142 18	-	77 522 06	-	47629	-	-	47 142 16	-	77 522 34	47 782 51
47564	47184	-	47 142 18	A	77 522 06	-	47630	47176 ²	-	47 142 16	-	77 522 34	47 782 52
47565	47184	-	47 142 18	A	77 522 06	-	47631	47176	Yes	47 142 18	D	-	47 782 52
47566	47184	-	47 142 18	A	77 522 06	-	47632	47640 ²	Yes	77 522 06	H	-	47 782 52
47567	47188	-	47 142 24	H, K	77 522 03	47 782 54	47633	-	-	47 142 30	-	-	47 782 54
47568	47176	-	47 142 16	-	77 522 34	47 782 52	47634	-	-	47 142 26	-	77 522 15	-
47569	47460 ²	-	47 142 16	G	77 522 33	47 782 52	47635	47176 ²	-	47 142 16	C, H	77 522 34	47 782 51
47570	47805	-	47 142 16	-	77 522 24	47 782 62	47636	47807 ³	-	47 142 16	-	77 522 24	47 782 62
47571	47176 ²	-	47 142 16	D	77 522 34	47 782 52	47637	47807 ³	-	47 142 16	-	77 522 24	47 782 62
47572	47176 ²	-	47 142 16	D	77 522 34	47 782 51	47638	47460	-	47 142 16	C, H	77 522 33	47 782 52
47573	47176	Yes	47 142 20	D	77 522 22	47 782 52	47639	-	-	47 142 22	-	77 522 13	47 782 62
47574	47184	-	47 142 18	B	77 522 06	-	47640 ²	47640 ²	-	47 142 27	-	77 522 16	-
47575	47176	-	47 142 16	D	77 522 34	47 782 51	47641	-	-	47 142 16	-	77 522 33	47 782 52
47576	47176	-	47 142 16	D	77 522 34	47 782 52	47642	-	-	47 142 26	-	77 522 10	47 782 52
47577	47184	-	47 142 18	C	77 522 06	-	47643	-	-	47 142 16	-	77 522 14	-
47578	47176 ²	-	47 142 16	G	77 522 11	47 782 52	47644	-	Yes	47 014 23 ⁵	-	-	47 782 52
47579	47176	-	47 142 16	-	77 522 34	47 782 52	47645	-	-	47 014 12 ⁵	-	-	-
47580	47176	Yes	47 142 44	D	-	47 782 52	47646	-	-	47 014 51	-	-	47 782 63
47581	47622 ³	-	47 142 30	-	-	47 782 59	47647	47176	-	47 142 16	C, H	77 522 34	47 782 52
47582	47460	Yes	47 142 20	C, H	-	47 782 52	47648	47807 ³	-	47 142 16	-	77 522 24	47 782 62
47583	47460 ²	-	47 142 16	-	77 522 34	47 782 52	47649	47460 ²	Yes	47 142 19	H	-	47 782 51
47584	47460 ²	-	47 142 16	-	77 522 34	47 782 52	47650	47460	-	47 142 16	G	77 522 33	47 782 52
47585	-	-	47 142 16	-	77 522 14	-	47651 ¹	47460 ²	-	47 142 16	C, H	77 522 33	47 782 51
47586	-	-	47 142 20	-	-	47 782 54	47652	47460 ²	-	47 142 16	G	77 522 33	47 782 52
47587	47460 ²	-	47 142 16	C	77 522 33	47 782 51	47653	47176 ²	-	47 142 16	C	77 522 34	47 782 52
47588	-	-	47 142 22	-	77 522 26	47 782 56	47654	47176 ²	-	47 142 16	C	77 522 34	47 782 52
47589	47176	-	47 142 16	-	77 522 34	47 782 52	47655	47462	-	47 142 20	C	77 522 22	47 782 52
47590	-	-	47 142 18	-	77 522 06	-	47656	47176	-	47 142 16	C	77 522 34	47 782 52
47591	-	-	47 142 18	-	77 522 06	-	47657	47176 ²	-	47 142 16	C	77 522 34	47 782 52
47592	-	-	47 142 18	-	77 522 06	-	47658	47176 ²	-	47 142 16	C, H	77 522 34	47 782 52

¹Basic Engine

²Order four (4) 25 112 02 spacers for pilotless applications.

³Replacement Engine

⁴Transfer bearing plate. Order and install 47 038 05 dipstick and 47 123 10 tube.

⁵Discontinued, not available at Kohler Co.

ENGINE SPECIFICATIONS

K301

Engine Spec. No.	Sugg. Service/ Replac. Engine	Required Crankshaft Change	Original Engine Crankshaft No.	Engine Modifica.	Replac. Short Block	Replac. Miniblock	Engine Spec. No.	Sugg. Service/ Replac. Engine	Required Crankshaft Change	Original Engine Crankshaft No.	Engine Modifica.	Replac. Short Block	Replac. Miniblock
47659	-	-	47 142 16	-	77 522 02	47 782 54	47734	-	-	47 142 18	-	77 522 06	-
47660	-	-	47 142 16	-	77 522 02	47 782 54	47735	47176	-	47 142 16	C	77 522 34	47 782 52
47661	47176 ²	-	47 142 16	C, H	77 522 34	47 782 52	47736	47460 ²	-	47 142 16	C, H	77 522 33	47 782 52
47662	47462	-	47 142 16	C	77 522 22	47 782 52	47738	47176	-	47 142 16	C	77 522 34	47 782 52
47664	47176 ²	-	47 142 16	C	77 522 34	47 782 52	47739	47460	-	47 142 16	C, H	77 522 33	47 782 52
47665	-	Yes	47 142 44	-	-	47 782 52	47740	47460 ²	-	47 142 16	G	77 522 33	47 782 52
47666	47176	-	47 142 16	C	77 522 34	47 782 52	47741	-	-	47 142 20	-	-	47 782 54
47667	47188	-	47 142 24	-	77 522 03	47 782 54	47742	47807 ²	-	47 142 16	-	77 522 24	47 782 62
47668	47460	-	47 142 16	-	77 522 33	47 782 52	47743	47460 ²	-	47 142 16	C, H	77 522 33	47 782 52
47669	47460 ²	-	47 142 16	G	77 522 33	47 782 52	47745	-	-	47 142 29	-	77 522 32	47 782 63
47670	47460 ²	-	47 142 16	C, H	77 522 33	47 782 52	47746	-	-	47 142 29	-	77 522 32	47 782 63
47673	-	-	47 142 26	-	77 522 15	-	47747	47188 ²	-	47 142 24	C	77 522 03	47 782 54
47674	-	-	47 142 17	-	77 522 05	47 782 56	47748	-	-	47 142 22	-	-	47 782 54
47675	47460 ²	-	47 142 16	D, G	77 522 33	47 782 52	47749	47460	-	47 142 16	G	77 522 33	47 782 52
47676	47460 ²	-	47 142 16	G	77 522 23	47 782 52	47750	47176	Yes	47 142 22	-	-	47 782 52
47677	47460	Yes	47 142 44	C, H	-	47 782 52	47752	47460 ²	-	47 142 16	-	77 522 33	47 782 52
47678	47460	-	47 142 16	C, H	77 522 23	47 782 54	47754	47460	Yes	47 142 20	C, H	-	47 782 52
47679	47460	-	47 142 16	C, H	77 522 33	47 782 51	47755	47460 ²	Yes	47 142 26	G	77 522 19	47 782 52
47680	47176	-	47 142 16	-	77 522 34	47 782 52	47756	47188	-	47 142 24	C, H	77 522 03	47 782 54
47681	47460	Yes	47 142 20	C, H	-	47 782 52	47758	47460 ²	-	47 142 16	C, H	77 522 33	47 782 52
47682	47460 ²	-	47 142 16	C, H	77 522 33	47 782 51	47760	47832 ²	-	47 142 45	-	-	47 782 52
47683	-	-	47 142 30	-	-	47 782 54	47761	47814 ²	-	47 142 25	-	77 522 21	47 782 53
47684	47460 ²	-	47 142 16	H	77 522 33	47 782 52	47762	-	-	47 142 25	-	77 522 30	47 782 53
47685	47460	-	47 142 16	C, H	77 522 33	47 782 51	47763	-	-	47 142 29	-	-	47 782 63
47686	47460 ²	-	47 142 16	G	77 522 33	47 782 52	47764 ²	47764 ²	-	47 142 32	-	77 522 18	47 782 59
47687	-	-	47 142 31	-	77 522 25	47 782 52	47765	47188	-	47 142 33	C	-	47 782 54
47688	47460 ²	-	47 142 16	C, H	77 522 33	47 782 52	47766	-	-	47 142 33	-	-	47 782 54
47689	47176 ²	-	47 142 16	-	77 522 34	47 782 52	47769	-	-	47 142 29	-	77 522 32	47 782 63
47690	47460	Yes	47 142 18	C, H	-	47 782 52	47770	-	-	47 142 29	-	77 522 32	47 782 63
47691	47176 ²	-	47 142 16	C, H	77 522 34	47 782 52	47771	47814 ²	-	47 142 25	-	77 522 21	47 782 53
47692	-	-	47 142 25	-	77 522 21	47 782 53	47772	-	-	47 142 18	-	77 522 06	-
47693	47832 ²	-	47 142 16	-	77 522 23	47 782 54	47773	-	-	47 142 31	-	77 522 25	47 782 52
47694	-	-	47 142 20	-	-	47 782 54	47774	47460 ²	Yes	47 142 27	G	-	47 782 54
47695	-	-	47 142 31	-	77 522 25	47 782 52	47775	47460 ²	-	47 142 16	C, H	77 522 33	47 782 52
47696	47460 ²	-	47 142 16	C, H	77 522 33	47 782 52	47776	-	-	47 142 29	-	77 522 32	47 782 63
47697	-	-	47 014 23 ⁵	-	-	47 782 54	47777	-	-	47 142 30	-	77 522 13	47 782 62
47705 ¹	47705 ³	-	47 142 17	-	77 522 17	47 782 56	47778	-	-	47 142 16	-	77 522 23	47 782 54
47706	-	-	47 142 16	-	77 522 23	47 782 54	47779	47188	Yes	47 142 22	C	-	47 782 54
47707	47814 ²	-	47 142 25	-	77 522 21	47 782 53	47780	-	-	47 142 16	-	77 522 33	47 782 52
47708	-	-	47 142 25	-	77 522 30	47 782 53	47781	-	-	47 142 16	-	77 522 33	47 782 52
47709	-	-	47 014 23 ⁵	-	-	47 782 54	47782	47176	-	47 142 16	C	77 522 34	47 782 52
47710	-	-	47 142 16	-	77 522 23	47 782 54	47783	47460 ²	-	47 142 16	C, H	77 522 33	47 782 52
47711	-	-	47 014 23 ⁵	-	-	47 782 54	47784	-	-	47 142 22	-	-	47 782 54
47712	-	-	47 142 29	-	-	47 782 63	47785	47460 ²	-	47 142 16	D, G	77 522 33	47 782 52
47713	47460	Yes	47 142 22	G	-	47 782 52	47786	-	-	47 142 29	-	77 522 32	47 782 63
47714	47176	Yes	47 142 22	-	-	47 782 52	47787	-	-	47 142 29	-	-	47 782 63
47715	-	-	47 142 29	-	77 522 32	47 782 63	47788	-	-	47 142 29	-	-	47 782 63
47716	47460 ²	-	47 142 16	C, H	77 522 33	47 782 52	47789	47460 ²	Yes	47 142 19	C, H	-	47 782 52
47717	47176	-	47 142 16	C	77 522 34	47 782 52	47791	-	-	47 142 30	-	77 522 13	47 782 62
47718	-	-	47 142 26	-	77 522 19	47 782 52	47792	-	-	47 142 22	-	77 522 27	-
47719	-	-	47 142 29	-	-	47 782 63	47793	47460	-	47 142 16	G	77 522 33	47 782 52
47720	-	-	47 142 29	-	-	47 782 63	47794	47176	-	47 142 16	-	77 522 34	47 782 52
47721	47460 ²	-	47 142 16	G	77 522 33	47 782 52	47795	-	-	47 142 16	-	-	47 782 27
47722	47460 ²	-	47 142 16	G	77 522 33	47 782 52	47796	47651 ¹	-	47 142 16	-	77 522 33	47 782 52
47723	47807 ²	-	47 142 16	-	77 522 24	47 782 62	47798	47807 ²	-	47 142 16	-	77 522 24	47 782 62
47724	47460 ²	-	47 142 16	G	77 522 33	47 782 52	47799	47460 ²	Yes	47 142 26	-	77 522 10	47 782 52
47725	-	-	47 142 31	-	77 522 25	47 782 52	47800	-	-	47 142 32	-	-	47 782 62
47726	-	Yes	47 142 44	-	-	47 782 52	47801	47460	-	47 142 16	H, C	77 522 33	47 782 52
47727	-	-	47 142 39	-	-	47 782 63	47802	-	-	47 142 20	-	77 522 22	47 782 52
47728	47805 ³	-	47 142 16	-	77 522 24	47 782 62	47803 ³	-	-	47 142 22	-	77 522 27	47 782 56
47729	-	Yes	47 142 44	-	-	47 782 52	47804	47176	-	47 142 16	C	77 522 33	47 782 52
47730	-	-	47 142 29	-	-	47 782 63	47805 ³	47805 ³	-	47 142 16	-	77 522 24	47 782 62
47731	-	-	47 142 29	-	-	47 782 63	47806	47640 ²	-	47 142 27	-	77 522 16	-
47732	47460 ²	-	47 142 16	G	77 522 33	47 782 52	47807 ²	47807 ²	-	47 142 16	-	77 522 24	47 782 62
47733	-	-	47 142 18	-	77 522 06	-	47808	-	-	47 142 16	-	77 522 23	47 782 64

¹Transfer bearing plate. Order and install 47 038 05 dipstick and 47 123 10 tube.

²Discontinued, not available at Kohler Co.

³Basic Engine

⁴Order four (4) 25 112 02 spacers for pilotless applications.

⁵Replacement Engine

K301

ENGINE SPECIFICATIONS

Engine Spec. No.	Sugg. Service/ Replac. Engine	Required Crankshaft Change	Original Engine Crankshaft No.	Engine Modifica.	Replac. Short Block	Replac. Miniblock	Engine Spec. No.	Sugg. Service/ Replac. Engine	Required Crankshaft Change	Original Engine Crankshaft No.	Engine Modifica.	Replac. Short Block	Replac. Miniblock
47809	47460	-	47 142 16	G	77 522 33	47 782 52	47824	47460	-	47 142 16	G	77 522 33	47 782 52
47810	-	-	47 142 20	-	-	47 782 54	47825	47460	-	47 142 16	G	77 522 33	47 782 52
47811	-	-	47 142 16	-	77 522 33	47 782 52	47826	-	-	47 142 20	-	77 522 33	47 782 52
47812	-	-	47 142 16	-	77 522 33	47 782 52	47827	47460	-	47 142 16	G	77 522 33	47 782 52
47813	-	-	47 142 25	-	77 522 28	47 782 66	47828 ⁴	-	-	47 142 16	-	77 522 33	47 782 52
47814 ⁵	47814 ⁵	-	47 142 25	-	77 522 29	47 782 66	47829	-	-	47 142 16	-	77 522 33	47 782 52
47815	-	-	47 014 35	-	-	47 782 30	47830	-	-	47 142 16	-	-	47 782 56
47816	-	-	47 014 35	-	-	47 782 30	47831	-	-	47 142 25	-	77 522 28	47 782 66
47817	-	-	47 014 35	-	-	47 782 30	47832 ⁴	47832 ⁴	-	47 142 45	-	77 522 31	47 782 52
47818	-	-	47 014 35	-	-	47 782 30	47833	-	-	47 142 35	-	-	47 782 52
47819	-	-	47 014 34	-	-	47 782 30	47834	47176	-	47 142 16	C	77 522 34	47 782 51
47820	-	-	47 014 34	-	-	47 782 30	47835	-	-	47 142 35	-	-	47 782 52
47821	-	-	47 142 20	-	-	47 782 52							
47822	-	-	47 142 16	-	77 522 64	47 782 62							
47823	-	-	47 142 16	-	77 522 33	47 782 52							

¹Basic Engine

²Order four (4) 25 112 02 spacers for pilotless applications.

³Replacement Engine

⁴Transfer bearing plate. Order and install 47 038 05 dipstick and 47 123 10 tube.

⁵Discontinued, not available at Kohler Co.

GENERATOR SPECIFICATIONS

K301

Spec. No.	Crankshaft	Miniblock	Short Block	Universal Service Eng. Spec. No.	Modification	Spec. No.	Crankshaft	Miniblock	Short Block	Universal Service Eng. Spec. No.	Modification
8700A	47 142 18	-	77 522 06	47184	-	8753A	47 142 18	47 782 51	-	47184	A
8700B	47 142 18	-	77 522 06	47184	-	8754A	47 142 18	-	77 522 06	47184	-
8701A	47 142 18	-	77 522 06	47184	-	8755A	47 142 18	-	77 522 06	47184	-
8701B	47 142 18	-	77 522 06	47184	-	8755B	47 142 18	-	77 522 06	47184	-
8704A	47 142 18	-	77 522 06	47184	-	8757A	47 142 18	-	77 522 06	47184	A
8705A	47 142 18	-	77 522 06	47184	B	8758A	47 142 18	-	77 522 06	47184	-
8705B	47 142 18	-	77 522 06	47184	B	8759A	47 142 18	-	77 522 06	47184	-
8706A	47 142 18	-	77 522 06	47184	B	8760A	47 142 18	-	77 522 06	47184	A, B
8706B	47 142 18	-	77 522 06	47184	B	8761A	47 142 18	47 782 51	-	47184	A
8707A	47 142 18	-	77 522 06	47184	-	8762A	47 142 18	-	77 522 06	47184	-
8707B	47 142 18	-	77 522 06	47184	-	8763A	47 142 18	-	77 522 06	47184	-
8708A	47 142 18	-	77 522 06	47184	A, B	8763B	47 142 18	-	77 522 06	47184	-
8709A	47 142 18	-	77 522 06	47184	A	8764A	47 142 18	-	77 522 06	47184	A
8709B	47 142 18	-	77 522 06	47184	A	8765A	47 142 18	47 782 51	-	47184	A
8710A	47 142 18	-	77 522 06	47184	A	8766A	47 142 18	-	77 522 06	47184	A, B
8710B	47 142 18	-	77 522 06	47184	A	8767A	47 142 18	-	77 522 06	47184	-
8711A	47 142 18	-	77 522 06	47184	B	8768A	47 142 18	-	77 522 06	47184	A
8712A	47 142 18	-	77 522 06	47184	-	8769A	47 142 18	-	77 522 06	47184	A, B
8712B	47 142 18	-	77 522 06	47184	-	8769B	47 142 18	-	77 522 06	47184	A, B
8714A	47 142 18	-	77 522 06	47184	B	8770B	47 142 18	-	77 522 06	47184	B
8715A	47 142 18	-	77 522 06	47184	-	8771A	47 142 18	-	77 522 06	47184	A
8716A	47 142 18	-	77 522 06	47184	-	8772A	47 142 18	47 782 51	-	47184	A
8716B	47 142 18	-	77 522 06	47184	-	8773A	47 142 18	47 782 51	-	47184	A
8717A	47 142 18	-	77 522 06	47184	-	8774A	47 142 18	-	77 522 06	47184	-
8718A	47 142 18	-	77 522 06	47184	-	8774B	47 142 18	-	77 522 06	47184	-
8719A	47 142 18	-	77 522 06	47184	-	8775A	47 142 18	47 782 51	-	47184	A
8720A	47 142 18	-	77 522 06	47184	B	8776A	47 142 18	-	77 522 06	47184	A, B
8720B	47 142 18	-	77 522 06	47184	B	8777A	47 142 18	47 782 51	-	47184	A
8721A	47 142 18	-	77 522 06	47184	B	8778A	47 142 18	-	77 522 06	47184	A, B
8722A	47 142 18	-	77 522 06	47184	-	8779A	47 142 18	-	77 522 06	47184	B
8722B	47 142 18	-	77 522 06	47184	-	8780A	47 142 18	-	77 522 06	47184	B
8723A	47 142 18	-	77 522 06	47184	B	8781A	47 142 18	-	77 522 06	47184	A
8724A	47 142 18	-	77 522 06	47184	B	8782A	47 142 18	-	77 522 06	47184	A
8725A	47 142 18	-	77 522 06	47184	B	8783A	47 142 18	-	77 522 06	47184	-
8726A	47 142 18	-	77 522 06	47184	-	8784A	47 142 18	-	77 522 06	47184	B
8726B	47 142 18	-	77 522 06	47184	-	8784B	47 142 18	-	77 522 06	47184	B
8727A	47 142 18	-	77 522 06	47184	A	8785A	47 142 18	47 782 51	-	47184	-
8728A	47 142 18	-	77 522 06	47184	B	8786A	47 142 18	-	77 522 06	47184	B
8728B	47 142 18	-	77 522 06	47184	B	8787A	47 142 18	-	77 522 06	47184	A
8729A	47 142 18	-	77 522 06	47184	-	8788A	47 142 18	47 782 51	-	47184	A
8730A	47 142 18	-	77 522 06	47184	A, B	8789A	47 142 18	-	77 522 06	47184	A, B
8731A	47 142 18	-	77 522 06	47184	A, B	8790A	47 142 18	47 782 51	-	47184	A
8732A	47 142 18	-	77 522 06	47184	B	8791A	47 142 18	-	77 522 06	47184	-
8733A	47 142 18	-	77 522 06	47184	A, B	8792A	47 142 18	47 782 51	-	47184	A
8734A	47 142 18	-	77 522 06	47184	A, B	8792B	47 142 18	47 782 51	-	47184	A
8735A	47 142 18	-	77 522 06	47184	A, B	8793A	47 142 18	-	77 522 06	47184	-
8736A	47 142 18	-	77 522 06	47184	A, B	8793B	47 142 18	-	77 522 06	47184	-
8738A	47 142 18	-	77 522 06	47184	B	8794A	47 142 18	-	77 522 06	47184	A
8739A	47 142 18	-	77 522 06	47184	A, B	8794B	47 142 18	-	77 522 06	47184	A
8740A	47 142 18	47 782 51	-	47184	A	8795A	47 142 18	-	77 522 06	47184	A
8741A	47 142 18	-	77 522 06	47184	-	8795B	47 142 18	-	77 522 06	47184	A
8741B	47 142 18	-	77 522 06	47184	-	8796A	47 142 18	-	77 522 06	47184	A, B
8742A	47 142 18	-	77 522 06	47184	B	8797A	47 142 18	-	77 522 06	47187	A, B
8743A	47 142 18	47 782 51	-	47184	A	8798A	47 142 18	-	77 522 06	47187	A, B
8744A	47 142 18	-	77 522 06	47184	-	8798B	47 142 18	-	77 522 06	47187	A, B
8744B	47 142 18	-	77 522 06	47184	-	8799A	47 142 18	-	77 522 06	47184	A, B
8745A	47 142 18	-	77 522 06	47184	-	87100A	47 142 18	-	77 522 06	47184	C
8746A	47 142 18	-	77 522 06	47184	B	87100B	47 142 18	-	77 522 06	47184	C
8747A	47 142 18	-	77 522 06	47184	B	87101A	47 142 18	47 782 51	-	47184	A
8748A	47 142 18	-	77 522 06	47184	A, B	87102A	47 142 18	-	77 522 06	47184	A
8748B	47 142 18	-	77 522 06	47184	B	87103A	47 142 18	47 782 51	-	47184	A
8749A	47 142 18	-	77 522 06	47184	A	87104A	47 142 18	-	77 522 06	47184	C
8750A	47 142 18	-	77 522 06	47184	-	87104B	47 142 18	-	77 522 06	47184	C
8751A	47 142 18	-	77 522 06	47184	A	87105A	47 142 18	-	77 522 06	47184	A, B
8752A	47 142 18	-	77 522 06	47184	A	87106A	47 142 18	-	77 522 06	47184	B

K301

GENERATOR SPECIFICATIONS

Spec. No.	Crankshaft	Miniblock	Short Block	Universal Service Eng.		Spec. No.	Crankshaft	Miniblock	Short Block	Universal Service Eng.	
				Spec. No.	Modification					Spec. No.	Modification
87107A	47 142 18	-	77 522 06	47184	C	87155B	47 142 18	B-237864 ⁵	77 522 09	-	-
87107B	47 142 18	-	77 522 06	47184	C	87156B	47 142 18	-	77 522 06	47184	A, B
87108A	47 142 18	-	77 522 06	47184	A, B	87157B	47 142 18	-	77 522 06	47184	A, B
87109A	47 142 18	-	77 522 06	47184	B	87158B	47 142 18	-	77 522 06	47184	-
87110A	47 142 18	-	77 522 06	47184	B	87159B	47 142 18	-	77 522 06	47184	-
87111A	47 142 18	-	77 522 06	47184	A, B	87160B	47 142 18	B-237864 ⁵	77 522 09	-	-
87112A	47 142 18	-	77 522 06	47184	B	87161B	47 142 18	-	77 522 06	47184	C
87113A	47 142 18	47 782 51	-	47184	A	87162B	47 142 18	-	77 522 06	47184	C
87114A	47 142 18	B-237864 ⁵	77 522 09	-	-	87300A	47 142 18	-	77 522 06	47184	-
87114B	47 142 18	B-237864 ⁵	77 522 09	-	-	87300B	47 142 18	-	77 522 06	47184	-
87115A	47 142 18	47 782 51	-	47184	B	87300C	47 142 18	-	77 522 06	47184	-
87116A	47 142 18	-	77 522 06	47184	A, B	87301A	47 142 18	-	77 522 06	47184	-
87117A	47 142 18	-	77 522 06	47184	-	87301B	47 142 18	-	77 522 06	47184	-
87118A	47 142 18	-	77 522 06	47184	A, B	87301C	47 142 18	-	77 522 06	47184	-
87119A	47 142 18	47 782 51	-	47184	-	87302A	47 142 18	-	77 522 06	47184	C
87119B	47 142 18	47 782 51	-	47184	-	87302B	47 142 18	-	77 522 06	47184	C
87120A	47 142 18	-	77 522 06	47184	C	87303A	47 142 18	-	77 522 06	47184	C
87121A	47 142 18	B-237864 ⁵	77 522 09	-	-	87303B	47 142 18	-	77 522 06	47184	C
87121B	47 142 18	B-237864 ⁵	77 522 09	-	-	87304A	47 142 18	-	77 522 06	47184	A
87122A	47 142 18	-	77 522 06	47184	-	87305A	47 142 18	-	77 522 06	47184	B
87123A	47 142 18	-	77 522 06	47184	A, B	87306A	47 142 18	-	77 522 06	47184	A
87124A	47 142 18	-	77 522 06	47184	C	87306B	47 142 18	-	77 522 06	47184	A
87125A	47 142 18	-	77 522 06	47184	B	87307A	47 142 18	-	77 522 06	47184	A, B
87126A	47 142 18	B-237864 ⁵	77 522 09	-	-	87308A	47 142 18	-	77 522 06	47184	B
87127A	47 142 18	-	77 522 06	47184	B	87309A	47 142 18	-	77 522 06	47184	B
87127B	47 142 18	-	77 522 06	47184	B	87310A	47 142 18	-	77 522 06	47184	-
87128A	47 142 18	-	77 522 06	47184	A, B	87310B	47 142 18	-	77 522 06	47184	-
87128B	47 142 18	-	77 522 06	47184	A, B	87311A	47 142 18	-	77 522 06	47184	A
87129A	47 142 18	-	77 522 06	47184	B	87311B	47 142 18	-	77 522 06	47184	A
87130A	47 142 18	-	77 522 06	47184	C	87312A	47 142 18	-	77 522 06	47184	C
87131A	47 142 18	-	77 522 06	47184	-	87313A	47 142 18	-	77 522 06	47184	A, B
87132A	47 142 18	B-237864 ⁵	77 522 09	-	-	87313B	47 142 18	-	77 522 06	47184	A, B
87132B	47 142 18	B-237864 ⁵	77 522 09	-	-	87314A	47 142 18	-	77 522 06	47184	B
87133A	47 142 18	-	77 522 06	47184	C	87314B	47 142 18	-	77 522 06	47184	B
87134A	47 142 18	B-237864 ⁵	77 522 09	-	-	87314C	47 142 18	-	77 522 06	47184	B
87135A	47 142 18	-	77 522 06	47184	C	87315A	47 142 18	-	77 522 06	47184	B
87135B	47 142 18	-	77 522 06	47184	C	87316A	47 142 18	-	77 522 06	47184	A, B
87136A	47 142 18	B-237864 ⁵	77 522 09	-	-	87317A	47 142 18	-	77 522 06	47184	A, B
87136B	47 142 18	B-237864 ⁵	77 522 09	-	-	87318A	47 142 18	-	77 522 06	47184	C
87137A	47 142 18	B-237864 ⁵	77 522 09	-	-	87318B	47 142 18	-	77 522 06	47187	C
87137B	47 142 18	B-237864 ⁵	77 522 09	-	-	87319A	47 142 18	-	77 522 06	47187	-
87138A	47 142 18	-	77 522 06	47184	B	87320A	47 142 18	-	77 522 06	47187	C
87138B	47 142 18	-	77 522 06	47184	B	87321A	47 142 18	-	77 522 06	47187	-
87139A	47 142 18	-	77 522 06	47184	B	87321B	47 142 18	-	77 522 06	47187	-
87139B	47 142 18	-	77 522 06	47184	B	87321C	47 142 18	-	77 522 06	47187	-
87140A	47 142 18	-	77 522 06	47184	A, B	87322A	47 142 18	-	77 522 06	47184	-
87140B	47 142 18	-	77 522 06	47184	A, B	87322B	47 142 18	-	77 522 06	47184	-
87141A	47 142 18	-	77 522 06	47184	B	87323A	47 142 18	-	77 522 06	47184	B
87141B	47 142 18	-	77 522 06	47184	B	87324A	47 142 18	-	77 522 06	47184	B
87142A	47 142 18	-	77 522 06	47184	B	87325A	47 142 18	-	77 522 06	47184	C
87142B	47 142 18	-	77 522 06	47184	B	87325B	47 142 18	-	77 522 06	47184	C
87143A	47 142 18	-	77 522 06	47184	A, B	87325C	47 142 18	-	77 522 06	47184	C
87143B	47 142 18	-	77 522 06	47184	A, B	87326A	47 142 18	-	77 522 06	47184	B
87144A	47 142 18	-	77 522 06	47184	A	87327A	47 142 18	-	77 522 06	47184	C
87145A	47 142 18	-	77 522 06	47184	A	87328A	47 142 18	-	77 522 06	47184	C
87145B	47 142 18	-	77 522 06	47184	A	87329A	47 142 18	-	77 522 06	47184	-
87146A	47 142 18	-	77 522 06	47184	-	87330A	47 142 18	-	77 522 06	47184	C
87147B	47 142 18	-	77 522 06	47184	C	87330B	47 142 18	-	77 522 06	47184	C
87148B	47 142 18	-	77 522 06	47184	A, B	87331A	47 142 18	-	77 522 06	47184	-
87149B	47 142 18	B-237864 ⁵	77 522 09	-	-	87331B	47 142 18	-	77 522 06	47184	-
87150B	47 142 18	-	77 522 06	47184	A, B	87332A	47 142 18	-	77 522 06	47184	C
87151B	47 142 18	-	77 522 06	47184	-	87333A	47 142 18	-	77 522 06	47184	A, B
87152B	47 142 18	-	77 522 06	47184	A, B	87334A	47 142 18	-	77 522 06	47184	A, B
87153B	47 142 18	-	77 522 06	47184	-	87334B	47 142 18	-	77 522 06	47184	A, B
87154B	47 142 18	B-237864 ⁵	77 522 09	-	-	87335A	47 142 18	-	77 522 06	47184	-

⁵Discontinued, not available at Kohler Co.

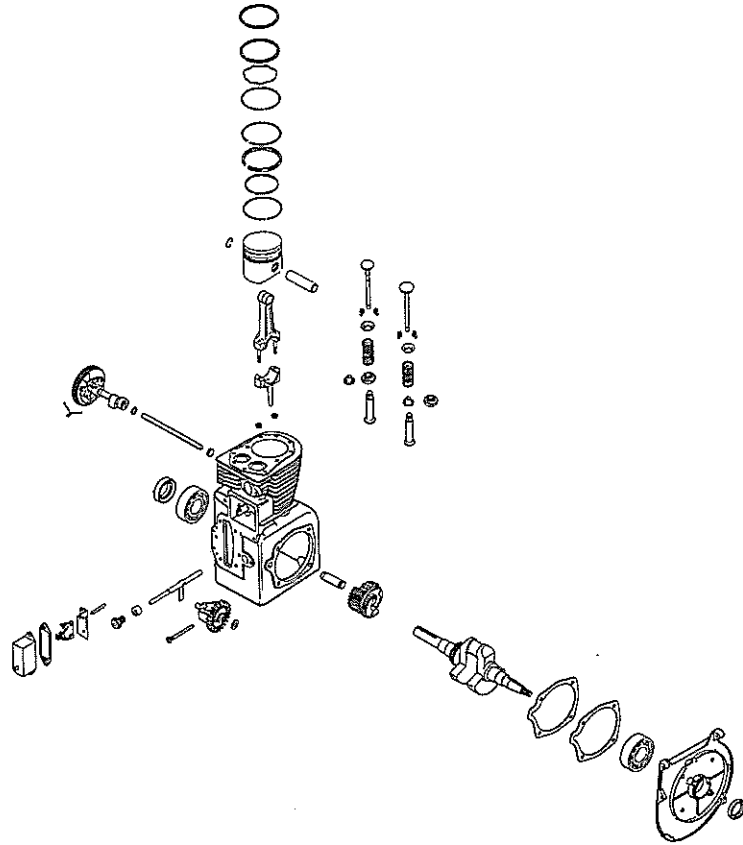
GENERATOR SPECIFICATIONS

K301

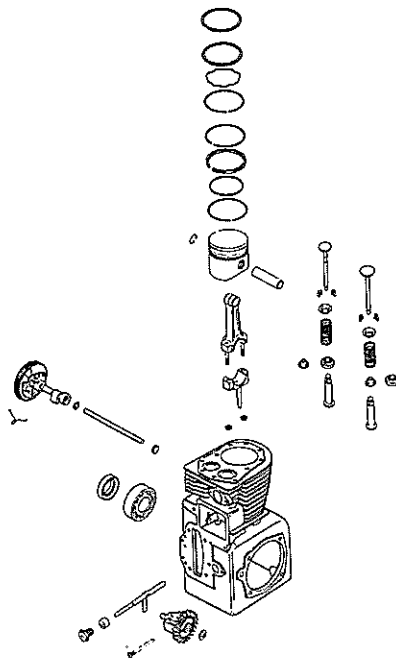
Spec. No.	Crankshaft	Miniblock	Short Block	Universal Service Eng. Spec. No.	Modification	Spec. No.	Crankshaft	Miniblock	Short Block	Universal Service Eng. Spec. No.	Modification
87335B	47 142 18	-	77 522 06	47184	-	87371C	47 142 18	-	77 522 06	47184	B
87335C	47 142 18	-	77 522 06	47184	-						
87336A	47 142 18	-	77 522 06	47184	B						
87336B	47 142 18	-	77 522 06	47184	B						
87336C	47 142 18	-	77 522 06	47184	B						
87337A	47 142 18	-	77 522 06	47184	A, B						
87338A	47 142 18	-	77 522 06	47184	B						
87339A	47 142 18	-	77 522 06	47184	C						
87340A	47 142 18	-	77 522 06	47184	B						
87341A	47 142 18	-	77 522 06	47184	C						
87342A	47 142 18	-	77 522 06	47184	A, B						
87342B	47 142 18	-	77 522 06	47184	A, B						
87343A	47 142 18	-	77 522 06	47184	C						
87344A	47 142 18	-	77 522 06	47184	C						
87345A	47 142 18	-	77 522 06	47184	C						
87345B	47 142 18	-	77 522 06	47184	C						
87345C	47 142 18	-	77 522 06	47184	C						
87346A	47 142 18	-	77 522 06	47184	A, B						
87347A	47 142 18	-	77 522 06	47184	C						
87347B	47 142 18	-	77 522 06	47184	C						
87347C	47 142 18	-	77 522 06	47184	C						
87348A	47 142 18	-	77 522 06	47184	B						
87348B	47 142 18	-	77 522 06	47184	B						
87348C	47 142 18	-	77 522 06	47184	B						
87349A	47 142 18	-	77 522 06	47184	A, B						
87349B	47 142 18	-	77 522 06	47184	A, B						
87350A	47 142 18	-	77 522 06	47184	B						
87350B	47 142 18	-	77 522 06	47184	B						
87351A	47 142 18	-	77 522 06	47184	A, B						
87352A	47 142 18	-	77 522 06	47184	B						
87352B	47 142 18	-	77 522 06	47184	B						
87353A	47 142 18	-	77 522 06	47184	B						
87353B	47 142 18	-	77 522 06	47184	B						
87353C	47 142 18	-	77 522 06	47184	B						
87354A	47 142 18	-	77 522 06	47184	A, B						
87354B	47 142 18	-	77 522 06	47184	A, B						
87355A	47 142 18	-	77 522 06	47184	C						
87355B	47 142 18	-	77 522 06	47184	C						
87356B	47 142 18	-	77 522 06	47184	B						
87356C	47 142 18	-	77 522 06	47184	B						
87357B	47 142 18	-	77 522 06	47184	C						
87357C	47 142 18	-	77 522 06	47184	C						
87358B	47 142 18	-	77 522 06	47184	C						
87358C	47 142 18	-	77 522 06	47184	C						
87359B	47 142 18	-	77 522 06	47184	C						
87359C	47 142 18	-	77 522 06	47184	C						
87360B	47 142 18	-	77 522 06	47184	-						
87360C	47 142 18	-	77 522 06	47184	-						
87361B	47 142 18	-	77 522 06	47184	A						
87362B	47 142 18	-	77 522 06	47184	B						
87362C	47 142 18	-	77 522 06	47184	B						
87363B	47 142 18	-	77 522 06	47184	C						
87363C	47 142 18	-	77 522 06	47184	C						
87364B	47 142 18	-	77 522 06	47184	A						
87365B	47 142 18	-	77 522 06	47184	C						
87365C	47 142 18	-	77 522 06	47184	C						
87366B	47 142 18	-	77 522 06	47184	-						
87366C	47 142 18	-	77 522 06	47184	-						
87367B	47 142 18	-	77 522 06	47184	B						
87367C	47 142 18	-	77 522 06	47184	B						
87368B	47 142 18	-	77 522 06	47184	B						
87368C	47 142 18	-	77 522 06	47184	B						
87369B	47 142 18	-	77 522 06	47184	A, B						
87370B	47 142 18	-	77 522 06	47184	C						
87370C	47 142 18	-	77 522 06	47184	C						

K301

Components of SHORT BLOCK



Components of MINIBLOCK



SERVICE ENGINES

K301

Listed below are the available K301 model Service Engines and an indication which parts are furnished and which have to be transferred from the original engine.

NOTE: Some of the Service Engines in the listing beginning on page 2, are followed by a superior² indicating that 4 spacers are required to shim the pilot up to the original block face.

SERVICE ENGINE NO.	DESCRIPTION
47176	1-1/8" diameter, 3-25/32" extension, 5-5/8" & 7-3/4" bolt circle, 7" pilot. Magneto Ignition.
47183	1" diameter, 3-25/32" extension, 5-5/8" & 7-3/4" bolt circle, 6-6/16" pilot, Magneto Ignition.
47184	Generator Set.
47186	1-1/8" diameter, 3-25/32" extension, 5-5/8" & 7-3/4" bolt circle, 6-7/16" pilot, Magneto Ignition.
47187	1" diameter, 3-25/32" extension, 5-5/8" & 7-3/4" bolt circle, 7" pilot, Magneto Ignition.
47188	Miller Electric.
47460	Standard crankshaft, 7" pilot, with provisions for Bendix Starter, 15 amp. alternator, Battery Ignition.
47462	Gear Reduction, Magneto Ignition.
47465*	1" diameter, 3-1/4" extension, 5-5/8" bolt circle, 7" pilot, with provisions for Motor-Generator Ignition.
47504	International Harvester.

NOTE: Discontinued, not available at Kohler Co.

Components—Furnished/Transferred (Indicated by Parts Group)

PARTS GROUP		
NO.	NAME	INSTRUCTIONS
1	Air Intake	Dry Type Air Cleaner furnished. Transfer or order other types only when necessary to retain for application involved.
2	Baffles & Shroud	High Clearance Type furnished. Transfer or order other types only when necessary to retain for application involved.
4	Camshaft & Valves	ACR camshaft. Stellite exhaust valve and exhaust valve rotator furnished on all except specification number 47504.
5	Carburetor	Side draft gasoline type furnished. Transfer automatic choke and/or other components to retain application.
6	Clutch	Not furnished.
7	Cylinder Block	Service Engines have 3-3/8" bore and 3-1/4" stroke. Other features described above.
8	Crankshaft	For details refer to Crankshaft Manual TP-2179-A. NOTE: On some applications, crankshaft length may have to be cut to length required. Balance gears on all except specification numbers 47184, 47188, and 47465.
9	Cylinder Head	Standard gasoline head furnished.
10	Dipstick	Flange type furnished on all except specification numbers 47184, 47188, and 47465 which have shoulder type and 47504 which has camshaft cover type. NOTE: Specs using flange type have Kohler Dynamic Balance installed—Shoulder mounted dipsticks cannot be used.
11	Electric Start	Not furnished. Transfer original components.
12	Exhaust	Can type furnished on all except specification number 47504 which has automotive type and 47184 and 47188 which furnish the exhaust elbow only.
13	Flywheel	Provisions for front drive shaft. Bolt circles have 4 holes except specification number 47465 which has 3 holes. Bolt circles are 3" diameter on all specs except 47465 which has 2-3/16" diameter and 47504 which has 3-1/4" diameter.

K301

Components—Furnished/Transferred

(Indicated by Parts Group)

PARTS GROUP		
NO.	NAME	INSTRUCTIONS
14	Fuel Pump	Pump furnished on all except specification number 47504. Fuel filter furnished on spec 47184 only.
15	Fuel Tank	Not furnished, transfer original components.
16	Reduction Gear	Not furnished. Transfer from original engines or order and install parts as called for in original specification. Refer to K301 Parts Manual.
17	Governor	Variable speed furnished on all except specification number 47184 which has constant speed. Transfer other types only if necessary to retain special feature.
18	Ignition	Flywheel magneto type ignition furnished on specification numbers 47176, 47183, 47186, 47187, and 47462. Specification numbers 47465 and 47504 have battery ignition—charging provided by motor-generator which must be transferred. Specification number 47460 has battery ignition with 15 amp alternator charging system. A 15 amp rectifier-regulator (#41 403 06) and connector (#237429) must be used. In addition to the starter switch (#237851), a single-pole throw switch must be installed. Use 238011 switch and 220725 plate if breakerless ignition is required. To convert use #237687* kit.
19	Instrument Panel	Not furnished, transfer from original engine or order and install parts as called for in original spec. Refer to K301 Parts Manual.
21	Oil Pan	2 quart capacity and side drain on all except specification numbers 47465 and 47504 which have 1-1/2 quart capacity and bottom drain. Side drains can be reversed if drain is desired on opposite side.
22	Piston & Rod	Standard.
23	Retractable Starter	Not furnished. Transfer blower housing, starter, and cup from original engine or order and install #237692 kit.
24	Remote Throttle	Furnished on specification numbers 47188 and 47504. Other specifications transfer from original engine or order and install parts as called for in original spec. Refer to K301 Parts Manual.
31	High Temperature Cutout	Not furnished. Transfer from original engine or order and install Part #47 703 01.

*NOTE: Discontinued, not available at Kohler Co.

SERVICE ENGINES MODIFICATIONS

As indicated in the listing beginning on Page 2, some modifications may be required to make a Service Engine compatible with an original engine.

The codes in the Engine Modification column indicate the required modification and are explained below:

Modification Code	Definition & Instructions
A	AIR-VAC COOLING (Generator specs) Transfer from original engine or order and install kit #237689.*
B	GAS FUEL SYSTEM (Generator specs) Transfer fuel system components from original engine.
C	SIDE MOUNT FUEL TANK Transfer from original engine or order and install kit #237690 (includes 1.5 gallon tank).
D	TOP MOUNT FUEL TANK Transfer from original engine or order and install kit #237691 (includes 2 gallon tank).
E	GAS FUEL SYSTEM (Industrial Engines) Transfer cylinder head and gas fuel system from original engine or order and install kit #236604.
F	KEROSENE FUEL SYSTEM Transfer carburetor, cylinder head, head baffle, cylinder baffle, fuel cup, and other associated parts from original engine. Install ring set #48 108 01.
G	HIGH MOUNT STARTING MOTOR Transfer from original engine or order and install kit #221520.
H	LOW MOUNT STARTING MOTOR Transfer components, including blower housing, from original engine or order and install kit #221521.
J	MOTOR-GENERATOR Transfer from original engine or order and install parts as called for in original spec. Refer to K301 Parts Manual.
K	FLYWHEEL Transfer from original engine.
L	RECOIL START Transfer from original engine the blower housing, starter, and cup, or order and install kit #237692.

*NOTE: Discontinued, not available at Kohler Co.

FOR SALES AND SERVICE INFORMATION
IN U.S. AND CANADA, CALL
1-800-544-2444

FORM NO.:	TP-2080-E
ISSUED:	1/84
REVISED:	9/95
MAILED:	12/95

LITHO IN U.S.A.

KOHLERengines

ENGINE DIVISION, KOHLER CO., KOHLER, WISCONSIN 53044